

General Specifications

Frame:

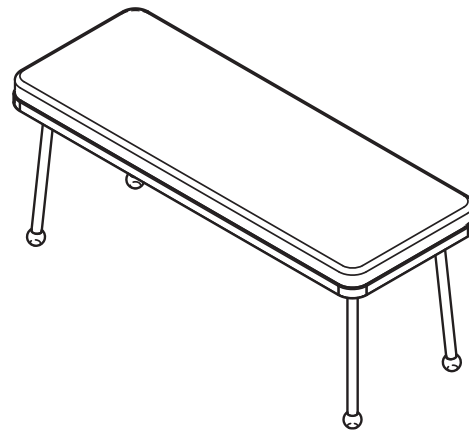
1" diameter, 16-gauge tubular steel legs are fully welded to a ¼" thick steel mounting plate. Mounting plate is attached to the base with 1/4"-20 bolts and threaded inserts. Each leg is fitted with a molded nylon ball (standard) or formal glide option. Formal glides are available in T12 Raven only.

Cushioned Seat

1-1/2" thick high density upholstery foam with a ½" thick backer board attaches to a 1-1/4" thick high pressure laminate core with 3mm PVC edge banding and 2" radiused corners. Cushioned tops are attached with wood screws.

Finish:

See www.mediatechnologies.com/resources/fabrics for fabric choices and **mediatechnologies** Finish and Color Guide for additional finish choices.



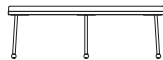
Bola Bench														
Model Number	Base	Seat	Seat Hgt. (in)	Wgt. (lbs)	COM yd.	List Prices								
						Grade 1 COM	Grade 2	Grade 3	Grade 4	Grade 5	Grade 6	Grade 7	Grade 8	Grade 9
BOLB-C2048C	Post	Uph	20	61	1 2/3	\$1,577	\$1,616	\$1,655	\$1,695	\$1,735	\$1,776	\$1,813	\$1,853	\$1,894
BOLB-C2060C	Post	Uph	20	68	2	\$1,643	\$1,683	\$1,721	\$1,760	\$1,801	\$1,842	\$1,880	\$1,920	\$1,959

Set Up Charges and Upcharges for Non-Standard and Custom Finishes

Model Number	Description	List Price
Group 2 Powder Coat	Set up charge, per color, per order, for Group 2 Powder Coat	\$361
Non-Standard PVC	Upcharge, per color, per order, for non-standard PVC	\$947



BOLB-C2048C
48" Wide



BOLB-C2060C
60" Wide

Required to order:

- Model # including:
- Fabric selection
 - PVC selection
 - Powder coat color
 - Glide style and color (if applicable)

*Note:

All Ball Glides same color = \$0
Use of multiple color ball glides will incur an upcharge.
Formal Glides are T12 Raven (Black) only

Ball Glide Color Options

- T11 Swan
- T12 Raven
- T13 Blue Heron
- T14 Jay
- T15 Falcon
- T16 Dove
- T17 Woodpecker Red
- T18 Purple Martin
- T19 Peacock
- T20 Macaw Blue
- T21 Goldfinch
- T22 Parakeet
- T23 Oriole
- T24 Cardinal
- T29 Hummingbird
- T30 Rio