

“How do I add finishes to...”

Drift Harbor Desk

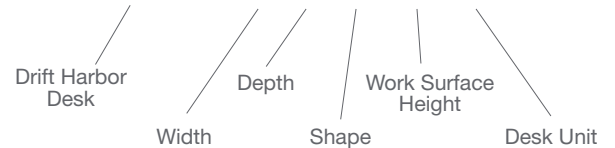
Select your desired Drift Harbor Desk units from the mediatechnologies Drift Harbor Desk Price List Sheet by model number.

Follow the Step-by-Step method to tell us how you want your Drift Harbor Desk finished. Make sure you indicate your finish choice for each step below in your purchase order. We will list your choices as notes below each individual model number in your order acknowledgment.

To the right is a simple explanation of two mediatechnologies Drift Harbor Desk model numbers.

Model Numbers:

DHRB-7224S-30-D



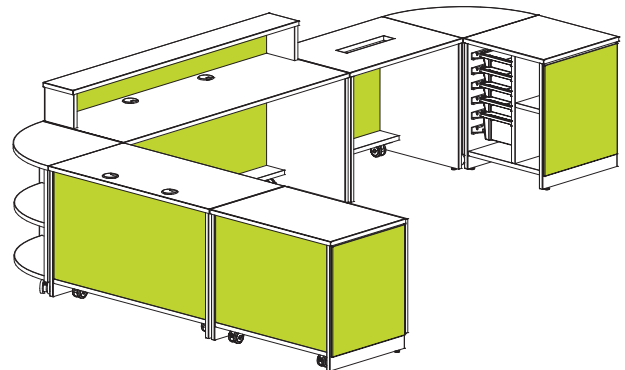
Step 1: Select powder coat for exterior case of your Drift Harbor desk.

Choose from our selection of finishes.

See our selection of finish choices at

<https://www.mediatechnologies.com/resources/finishes>

Enter your selection on the “Exterior Powder Coat” line on the last page of this designer.



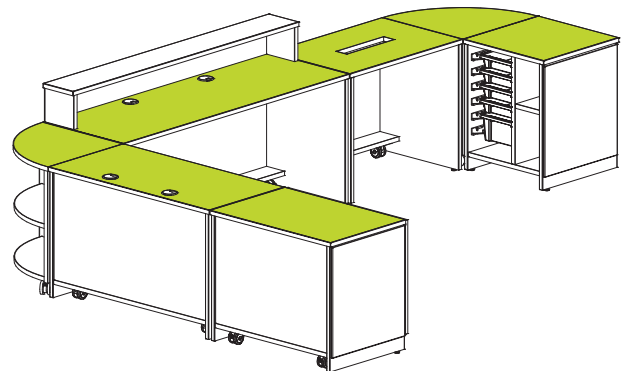
Step 2: Select HPL for work surfaces.

Choose from our selection of finishes.

See our selection of finish choices at

<https://www.mediatechnologies.com/resources/finishes>

Enter your selection on the “Work Surface HPL” line on the last page of this designer.



“How do I add finishes to...”

Drift Harbor Desk

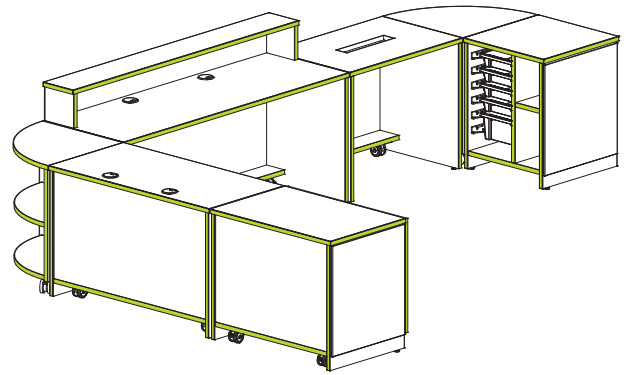
Step 3: Select PVC for all edges.

Choose from our selection of finishes

See our selection of finish choices at

<https://www.mediatechnologies.com/resources/finishes>

Enter your selection on the “Edge PVC” line on the last page of this designator.



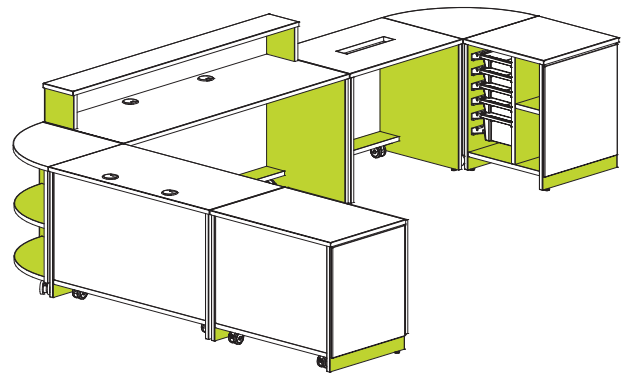
Step 4: Select Base HPL.

Choose from our selection of finishes

See our selection of finish choices at

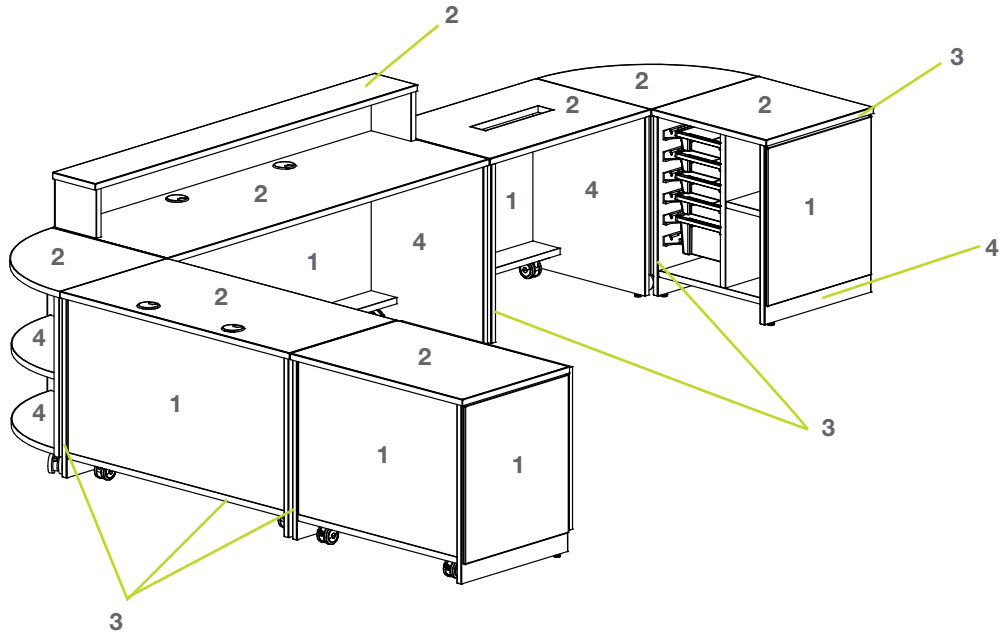
<https://www.mediatechnologies.com/resources/finishes>

Enter your selection on “Base HPL” line on the last page of this designator.



“How do I add finishes to...”

Drift Harbor Desk



Job:

Model Number:

Finish Schedule:

1 Exterior Powder Coat:

2 Work Surface HPL:

3 Edge PVC:

4 Base HPL:
