

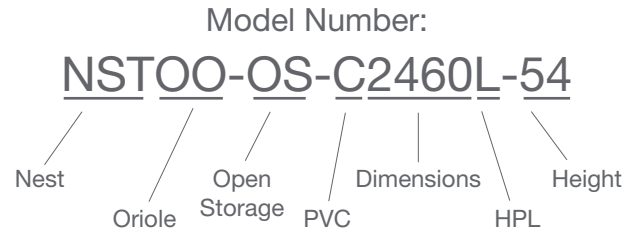
“How do I add finishes to...”

Oriole Nest

Select your desired Oriole Nest unit from the mediatechnologies Oriole Nest Price sheet by model number.

Follow the Step-by-Step method to tell us how you want your Oriole Nest unit finished. Make sure you indicate your finish choice for each step below in your purchase order. We will list your choices as notes below each individual model number in your order acknowledgement.

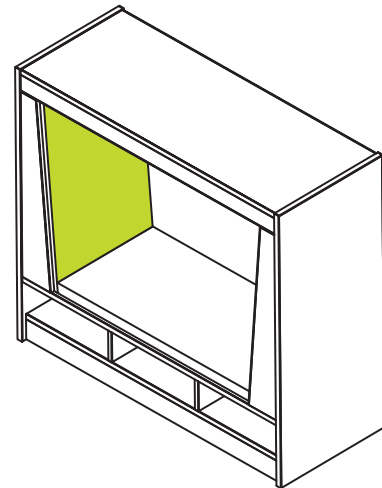
To the right is a simple explanation of a mediatechnologies Oriole Nest model number.



Step 1: Select fabric for seat back.

Choose from our selection of fabrics.
See our selection of fabric choices at
<https://www.mediatechnologies.com/resources/fabrics>

Enter your selection on the “Seat Back Fabric” line on the last page of this designator.



“How do I add finishes to...”

Oriole Nest

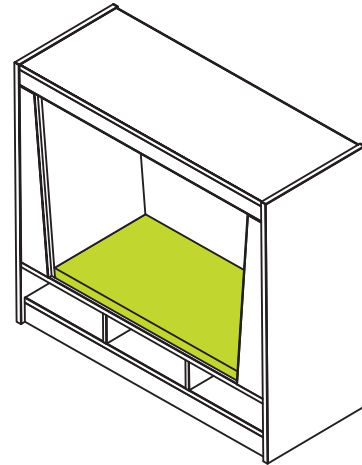
Step 2: Select fabric for seat.

Choose from our selection of fabrics.

See our selection of fabric choices at

<https://www.mediatechnologies.com/resources/fabrics>

Enter your selection on “Seat Fabric” line on the last page of this designator.



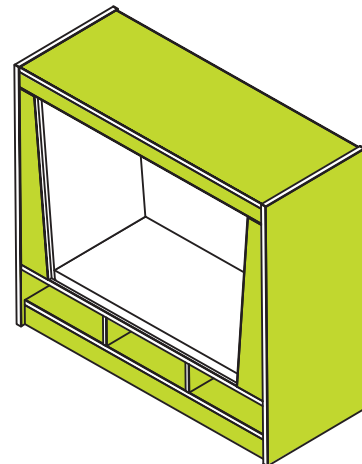
Step 3: Select HPL or TFL for Case/ frame, exterior panels and interior surfaces.

Choose from our selection of finishes.

See our selection of finish choices at

<https://www.mediatechnologies.com/resources/finishes>

Enter your selection on the “Frame & Interior Surfaces HPL/ TFL” line on the last page of this designator.



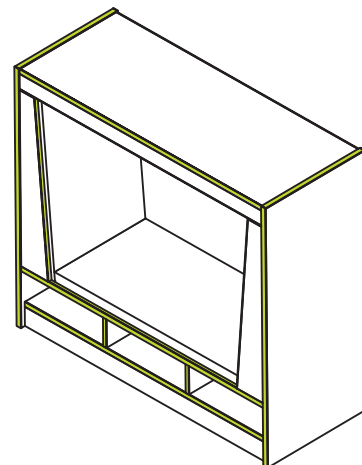
Step 4: Select PVC for all edges.

Choose from our selection of finishes.

See our selection of finish choices at

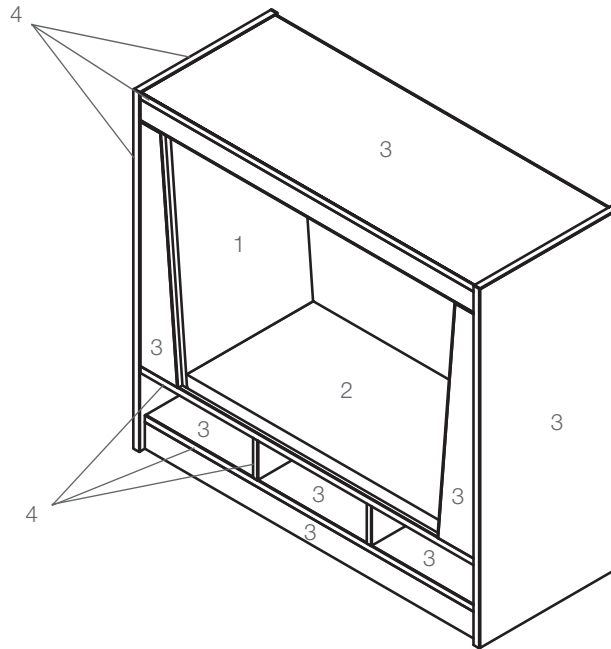
<https://www.mediatechnologies.com/resources/finishes>

Enter your selection on the “All Edges PVC” line on the last page of this designator.



“How do I add finishes to...”

Oriole Nest



NSTOO-OS-C2460_-

Job:
Model Number:
Finish Schedule:

1 Seat Back Fabric: _____

2 Seat Fabric: _____

3 Frame & Interior Surfaces HPL/TFL: _____

4 All Edges PVC: _____